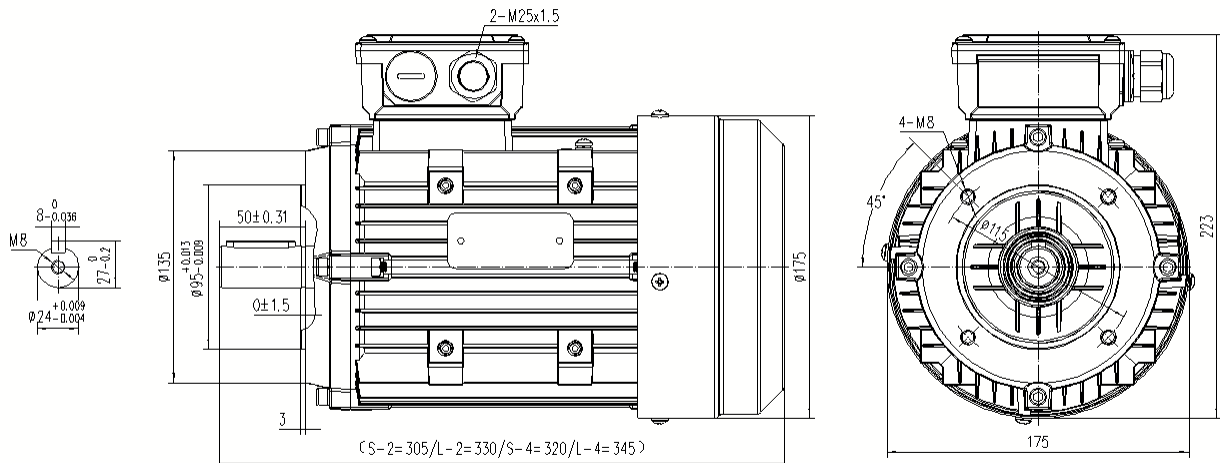


Type **NAH90L-2-N IE3**

Cod.

Mounting position

IM	B14
IM	3601



Electrical data			
Rated motor power	2.2		kW
Rated motor speed	2890		min ⁻¹ 50Hz
	3468		min ⁻¹ 60Hz
Rated motor frequency	50		Hz
Rated motor voltage(+/-10%)	230		VΔ/50Hz
	400		VY/50Hz
	280		VΔ/60Hz
	480		VY/60Hz
Rated motor torque	7.26		Nm (Mn)
Rated motor current	7.65	VΔ/50Hz	A (In)
	4.40	VY/50Hz	A (In)
Starting motor current	8.3		xIn
Starting motor torque	3.0		xMn
Breakdown motor torque	3.2		xMn
Starting			D.O.L.
Efficiency class	IE3		
Efficiency	50Hz	60Hz	
	86.1	86.5	100% load
	86.9	87.4	75% load
	86.0	86.2	50% load
Power factor cosφ	0.85	0.85	100% load

General data	
Frame size	90
Mounting	B14
Weight	17.3 kg
Casing material	Aluminum
Protection	IP 55
Insulation class/Temperature rise	F
Tropicalization	Yes
Vibration class	A
Duty	S1
Direction of rotation	Bidirectional
Method of cooling	IC 411
Cable entry	2-M25x1,5
Standards	IEC/DIN/ISO/DE/EN
Execute at Standard	IEC 60034-1
Feet removable	Yes
Paintwork	7030 C2 standard
Thermal protections	

Site conditions	
Ambient temperature	from -20°C to +40°C
Altitude above sea level	1000 m

Mechanical data				
Noise level	LpA	67	dB(A)	
	LwA	69	dB(A)	
Moment of inertia	0.00283		kgm ²	
Bearings type			cgjf	
Lubricants for bearings	See installation and maintenance manual		Bearing DE side	6205-2RZ ZV3
			Bearing NDE side	6205-2RZ ZV3
		Average bearing lifetime	40000 h	
		Relubrication interval L1 DE bearing	life h	
		Relubrication interval L1 NDE bearing	life h	
		Compensation ring	DE SIDE standard	