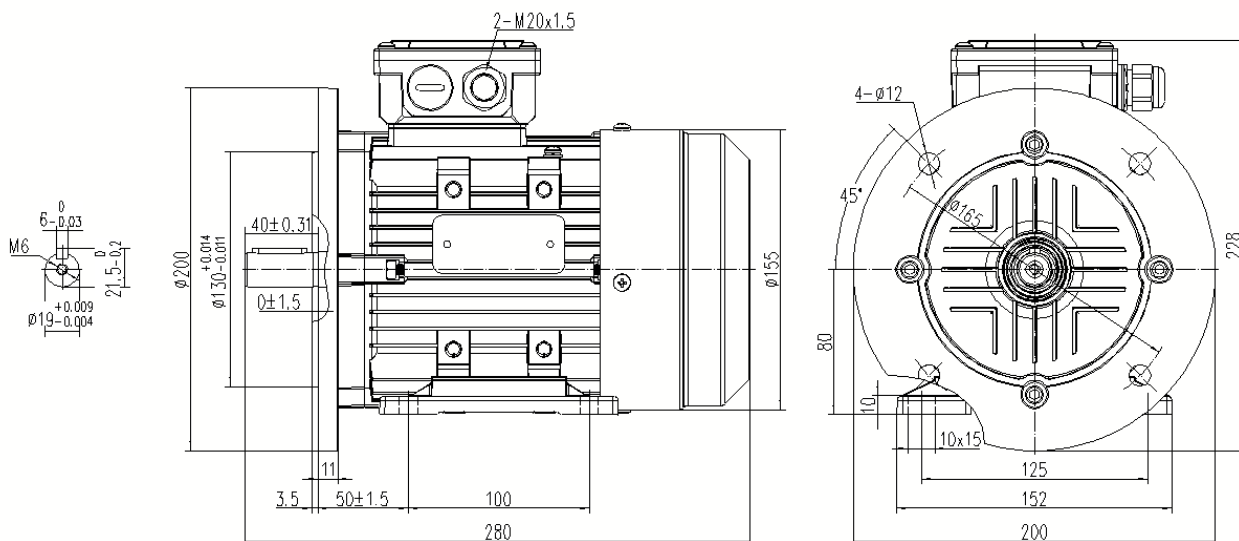


Type **NAH80B-4-N IE3**

Cod.

Mounting position

|    |      |
|----|------|
| IM | B35  |
| IM | 2001 |



| Electrical data             |      |         |                        |
|-----------------------------|------|---------|------------------------|
| Rated motor power           | 0.75 |         | kW                     |
| Rated motor speed           | 1420 |         | min <sup>-1</sup> 50Hz |
|                             | 1704 |         | min <sup>-1</sup> 60Hz |
| Rated motor frequency       | 50   |         | Hz                     |
| Rated motor voltage(+/-10%) | 230  |         | VΔ/50Hz                |
|                             | 400  |         | VY/50Hz                |
|                             | 280  |         | VΔ/60Hz                |
|                             | 480  |         | VY/60Hz                |
| Rated motor torque          | 5.04 |         | Nm (Mn)                |
| Rated motor current         | 3.08 | VΔ/50Hz | A (In)                 |
|                             | 1.77 | VY/50Hz | A (In)                 |
| Starting motor current      | 6.0  |         | xIn                    |
| Starting motor torque       | 2.6  |         | xMn                    |
| Breakdown motor torque      | 2.4  |         | xMn                    |
| Starting                    |      |         | D.O.L.                 |
| Efficiency class            | IE3  |         |                        |
| Efficiency                  | 50Hz | 60Hz    |                        |
|                             | 82.7 | 85.5    | 100% load              |
|                             | 83.1 | 85.9    | 75% load               |
|                             | 81.6 | 84.2    | 50% load               |
| Power factor cosφ           | 0.74 | 0.74    | 100% load              |

| General data                      |                   |             |
|-----------------------------------|-------------------|-------------|
| Frame size                        | 80                |             |
| Mounting                          | B35               |             |
| Weight                            | 12.2              | kg          |
| Casing material                   | Aluminum          |             |
| Protection                        | IP                | 55          |
| Insulation class/Temperature rise | F                 |             |
| Tropicalization                   | Yes               |             |
| Vibration class                   | A                 |             |
| Duty                              | S1                |             |
| Direction of rotation             | Bidirectional     |             |
| Method of cooling                 | IC                | 411         |
| Cable entry                       | 2-M20x1.5         |             |
| Standards                         | IEC/DIN/ISO/DE/EN |             |
| Execute at Standard               | IEC 60034-1       |             |
| Feet removable                    | Yes               |             |
| Paintwork                         | 7030              | C2 standard |
| Thermal protections               |                   |             |

| Site conditions          |                     |
|--------------------------|---------------------|
| Ambient temperature      | from -20°C to +40°C |
| Altitude above sea level | 1000 m              |

| Mechanical data         |   |    |                  |                                       |              |
|-------------------------|---|----|------------------|---------------------------------------|--------------|
| Noise level             | LpA                                     | 56 | dB(A)            | Bearing DE side                       | 6204-2RZ ZV3 |
|                         | LwA                                     | 61 | dB(A)            | Bearing NDE side                      | 6204-2RZ ZV3 |
| Moment of inertia       | 0.00232                                 |    | kgm <sup>2</sup> | Average bearing lifetime              | 40000 h      |
| Bearings type           |   |    | cgjf             | Relubrication interval L1 DE bearing  | life h       |
| Lubricants for bearings | See installation and maintenance manual |    |                  | Relubrication interval L1 NDE bearing | life h       |
|                         |   |    |                  | Compensation ring                     | DE SIDE      |