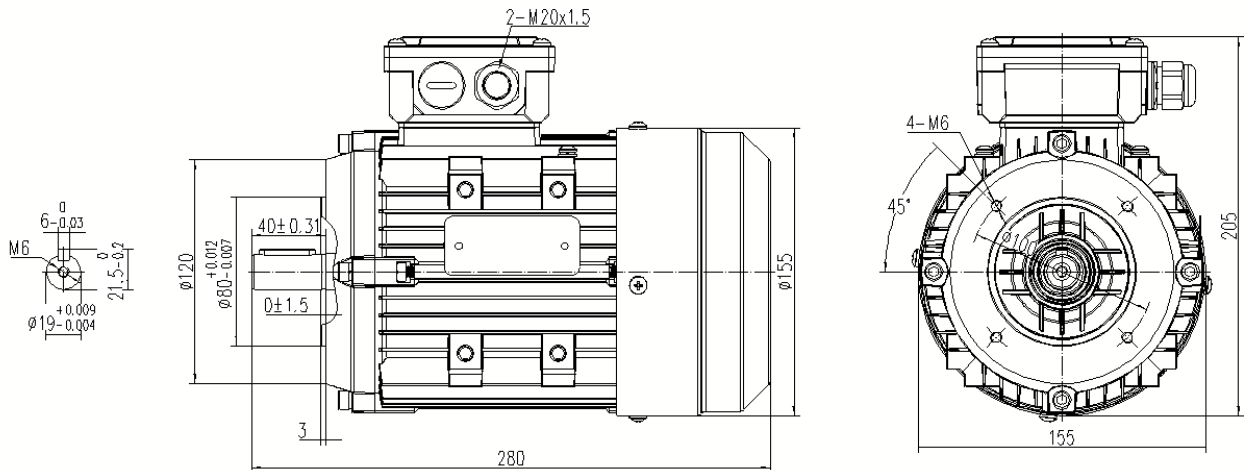


Type **NAH80B-4-N IE3**

Cod.

Mounting position

IM	B14
IM	3601



Electrical data			
Rated motor power	0.75		kW
Rated motor speed	1420		min <sup>-1</sup> 50Hz
	1704		min <sup>-1</sup> 60Hz
Rated motor frequency	50		Hz
Rated motor voltage(+/-10%)	230		V $\Delta$ /50Hz
	400		VY/50Hz
	280		V $\Delta$ /60Hz
	480		VY/60Hz
Rated motor torque	5.04		Nm (Mn)
Rated motor current	3.08	V $\Delta$ /50Hz	A (In)
	1.77	VY/50Hz	A (In)
Starting motor current	6.0		xIn
Starting motor torque	2.6		xMn
Breakdown motor torque	2.4		xMn
Starting			D.O.L.
Efficiency class	IE3		
Efficiency	50Hz	60Hz	
	82.7	85.5	100% load
	83.1	85.9	75% load
	81.6	84.2	50% load
Power factor cos $\phi$	0.74	0.74	100% load

General data		
Frame size	80	
Mounting	B14	
Weight	12.2	kg
Casing material	Aluminum	
Protection	IP	55
Insulation class/Temperature rise	F	
Tropicalization	Yes	
Vibration class	A	
Duty	S1	
Direction of rotation	Bidirectional	
Method of cooling	IC	411
Cable entry	2-M20x1.5	
Standards	IEC/DIN/ISO/VE/EN	
Execute at Standard	IEC 60034-1	
Feet removable	Yes	
Paintwork	7030	C2 standard
Thermal protections		

Site conditions	
Ambient temperature	from -20°C to +40°C
Altitude above sea level	1000 m

Mechanical data					
Noise level	LpA	56	dB(A)	Bearing DE side	6204-2RZ ZV3
	LwA	61	dB(A)	Bearing NDE side	6204-2RZ ZV3
Moment of inertia	0.00232		kgm <sup>2</sup>	Average bearing lifetime	40000 h
Bearings type			cgjf	Relubrication interval L1 DE bearing	life h
Lubricants for bearings	See installation and maintenance manual			Relubrication interval L1 NDE bearing	life h
				Compensation ring	DE SIDE