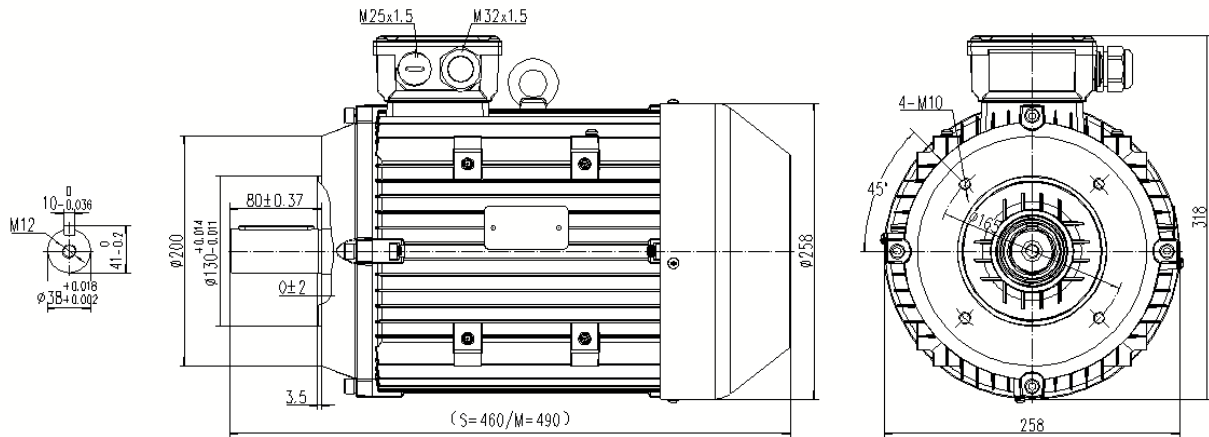


Type **NAH132S2-2-N IE3**

Cod.

Mounting position

IM	B14
IM	3601



Electrical data			
Rated motor power	7.5		kW
Rated motor speed	2930		min <sup>-1</sup> 50Hz
	3516		min <sup>-1</sup> 60Hz
Rated motor frequency	50		Hz
Rated motor voltage(+/-10%)	400		VΔ/50Hz
	690		VY/50Hz
	480		VΔ/60Hz
	830		VY/60Hz
Rated motor torque	24.4		Nm (Mn)
Rated motor current	13.9	VΔ/50Hz	A (In)
	8.03	VY/50Hz	A (In)
Starting motor current	9.3		xIn
Starting motor torque	2.7		xMn
Breakdown motor torque	4.3		xMn
Starting			D.O.L.
Efficiency class	IE3		
Efficiency	50Hz	60Hz	
	90.2	90.3	100% load
	91.3	90.7	75% load
	91.5	90.0	50% load
Power factor cosφ	0.88	0.88	100% load

General data		
Frame size	132	
Mounting	B14	
Weight	48.2	kg
Casing material	Aluminum	
Protection	IP	55
Insulation class/Temperature rise	F	
Tropicalization	Yes	
Vibration class	A	
Duty	S1	
Direction of rotation	Bidirectional	
Method of cooling	IC	411
Cable entry	1-M25x1.5, 1-M32x1.5	
Standards	IEC/DIN/ISO/DE/EN	
Execute at Standard	IEC 60034-1	
Feet removable	Yes	
Paintwork	7030	C2 standard
Thermal protections		

Site conditions	
Ambient temperature	from -20°C to +40°C
Altitude above sea level	1000 m

Mechanical data					
Noise level	LpA	79	dB(A)	Bearing DE side	6308-2RZ ZV3
	LwA	81	dB(A)	Bearing NDE side	6308-2RZ ZV3
Moment of inertia	0.01617		kgm <sup>2</sup>	Average bearing lifetime	40000 h
Bearings type			cgjf	Relubrication interval L1 DE bearing	life h
Lubricants for bearings	See installation and maintenance manual			Relubrication interval L1 NDE bearing	life h
				Compensation ring	DE SIDE